



Characteristics



- Decorative air curtain in contemporary architectural style. Its minimalist and smart design integrates in any environment and offers infinite options to customize.
- Can include personalized logotypes, signs or graphic designs. It can even incorporate clocks or lighting.
- Front anodized aluminium panels. Optionally manufactured in brushed or mirror polished stainless steel. Other materials are possible, such as wood, metal, etc.
- Central structure made of galvanized steel finished in black forge as standard. Other colours are available on request.
- Anodized aluminium outlet vanes, airfoil shaped, adjustable in both directions.
- Double-inlet centrifugal fans driven by an external rotor motor and low noise level. 5-speed selector. "EC" models with very low consumption efficient fans.
- "P" type with water heated coil. "E" type with electrical shielded elements, three stages with integrated regulation. "A" type without heating, air only.
- Includes Plug&Play control with 7m RJ45 cable and infrared remote control. Optional: Clever control (programmable, automatic, intelligent, energy saving, Modbus RTU for BMS...).
- CSA certification prepared for the United States/Canada market (new power supply voltages of 208V single-phase, 208V three-phase and 575V three-phase not certified, only UL components).

Specifications

AIR ONLY 208 V (*)

Model	Airflow m³/h	Power Fans 208V-60Hz kW	Current Fans 208V-60Hz A	Noise Level (5 m) dB(A)	Weight kg
ZEN G 1000 A 60Hz	2325	0,332	1,61	56	36
ZEN G 1500 A 60Hz	3100	0,442	2,14	57	50
ZEN G 2000 A 60Hz	4650	0,664	3,21	58	69
ZEN G 2500 A 60Hz	5425	0,774	3,75	59	83
ZEN ECG 1000 A 60Hz	2700	0,319	2,79	60	36
ZEN ECG 1500 A 60Hz	3600	0,426	3,72	61	50
ZEN ECG 2000 A 60Hz	5400	0,638	5,58	62	69
ZEN ECG 2500 A 60Hz	6300	0,745	6,51	63	83

(*) 208V single-phase power supply not certified, only UL components.

AIR ONLY 240 V

Model	Airflow m³/h	Power Fans 240V-60Hz kW	Current Fans 240V-60Hz A	Noise Level (5 m) dB(A)	Weight kg
ZEN G 1000 A 60Hz(**)	2475	0,395	1,65	57	36
ZEN G 1500 A 60Hz(**)	3300	0,526	2,20	58	50
ZEN G 2000 A 60Hz(**)	4950	0,790	3,30	59	69
ZEN G 2500 A 60Hz(**)	5775	0,921	3,85	60	83
ZEN ECG 1000 A 60Hz	2850	0,381	2,94	61	36
ZEN ECG 1500 A 60Hz	3800	0,508	3,92	62	50
ZEN ECG 2000 A 60Hz	5700	0,762	5,88	63	69
ZEN ECG 2500 A 60Hz	6650	0,889	6,86	64	83

(**) Certified with different data.

WATER HEATED 208 V (*)

Model	Airflow m³/h	P86		P64		P54		Power Fans 208V-60Hz kW	Current Fans 208V-60Hz A	Noise Level (5 m) dB(A)	Weight kg
		Heating Capacity 80/60°C kW	Water Drop Pressure 80/60°C Pa	Heating Capacity 60/40°C kW	Water Drop Pressure 60/40°C Pa	Heating Capacity 50/40°C kW	Water Drop Pressure 50/40°C Pa				
ZEN G 1000 P 60Hz	1875	9,89	1010	8,83	5040	8,86	1430	0,332	1,61	56	40
ZEN G 1500 P 60Hz	2500	14,30	770	13,08	6490	13,70	4510	0,442	2,14	57	57
ZEN G 2000 P 60Hz	3750	22,29	2210	18,86	5530	19,40	2410	0,664	3,21	58	78
ZEN G 2500 P 60Hz	4375	27,84	4040	22,48	4100	24,07	4330	0,774	3,75	59	95
ZEN ECG 1000 P 60Hz	2550	11,89	1400	10,73	7110	10,95	2090	0,319	2,79	60	40
ZEN ECG 1500 P 60Hz	3400	17,29	1070	15,97	9240	17,02	6630	0,426	3,72	61	57
ZEN ECG 2000 P 60Hz	5100	26,87	3080	22,99	7850	24,05	3530	0,638	5,58	62	78
ZEN ECG 2500 P 60Hz	5950	33,64	5650	27,48	5840	29,90	6370	0,745	6,51	63	95

Water heated: connection pipes P86 and P64 are 2x3/4" female (male if lateral pipes), P54 2x1" male. P86 2 rows coil, P64 3 rows coil, P54 4 rows coil.

(*) 208V single-phase power supply not certified, only UL components.



WATER HEATED 240V											
Model	Airflow m ³ /h	P86		P64		P54		Power Fans 240V-60Hz kW	Current Fans 240V-60Hz A	Noise Level (5 m) dB(A)	Weight kg
		Heating Capacity 80/60°C kW	Water Drop Pressure 80/60°C Pa	Heating Capacity 60/40°C kW	Water Drop Pressure 60/40°C Pa	Heating Capacity 50/40°C kW	Water Drop Pressure 50/40°C Pa				
ZEN G 1000 P 60Hz (**)	2250	11,04	1230	9,92	6190	10,06	1800	0,395	1,65	57	40
ZEN G 1500 P 60Hz (**)	3000	16,02	940	14,74	8020	15,60	5680	0,526	2,20	58	57
ZEN G 2000 P 60Hz (**)	4500	24,92	2700	21,23	6820	22,06	3030	0,790	3,30	59	78
ZEN G 2500 P 60Hz (**)	5250	31,17	4940	25,35	5070	27,41	5450	0,921	3,85	60	95
ZEN ECG 1000 P 60Hz	2625	12,09	1450	10,92	7340	11,17	2160	0,381	2,94	61	40
ZEN ECG 1500 P 60Hz	3500	17,59	1110	16,27	9550	17,36	3500	0,508	3,92	62	57
ZEN ECG 2000 P 60Hz	5250	27,34	3180	23,42	8110	24,53	3660	0,762	5,88	63	78
ZEN ECG 2500 P 60Hz	6125	34,23	5830	27,99	6040	30,51	6600	0,889	6,86	64	95

Water heated: connection pipes P86 and P64 are 2x3/4" female (male if lateral pipes), P54 2x1" male. P86 2 rows coil, P64 3 rows coil, P54 4 rows coil.

(**) Certified with different data.

ELECTRICAL HEATED 208 V (*)									
Model	Airflow m ³ /h	Electrical Heating Capacity 208Vx3-60Hz	Electrical Heating Capacity 460Vx3-60Hz	Electrical Heating Capacity 480Vx3-60Hz	Electrical Heating Capacity 575Vx3-60Hz	Power Fans 208V-60Hz kW	Current Fans 208V-60Hz A	Noise Level (5 m) dB(A)	Weight kg
		kW	kW	kW	kW				
ZEN G 1000 E 60Hz	2250	2,5/5/7,5	2,5/5/7,5	3/5,5/8,5	3,5/4/7,5	0,332	1,61	56	43
ZEN G 1500 E 60Hz	3000	3,5/6,5/10	3,5/7/10,5	4/7,5/11,5	5/5,5/10,5	0,442	2,14	57	62
ZEN G 2000 E 60Hz	4500	5/9/14	5/10,5/15,5	5,5/11/16,5	6,5/8/14,5	0,664	3,21	58	85
ZEN G 2500 E 60Hz	5250	5,5/9/14,5	6/12/18	6,5/13/19,5	8/9,5/17,5	0,774	3,75	59	103
ZEN ECG 1000 E 60Hz	2700	4/8/12	4/8/12	4,3/8,7/13	4/8/12	0,319	2,79	60	43
ZEN ECG 1500 E 60Hz	3600	6/9,5/15,5	5,5/10,5/16	5,8/11,7/17,5	5,5/11/16,5	0,426	3,72	61	62
ZEN ECG 2000 E 60Hz	5400	5/9/14	8/16,5/24,5	8,8/17,7/26,5	8/16/24	0,638	5,58	62	85
ZEN ECG 2500 E 60Hz	6300	5,5/9/14,5	9,5/18,5/28	10,2/20,3/30,5	9,5/19/28,5	0,745	6,51	63	103

(*) 208V single-phase power supply not certified, only UL components.

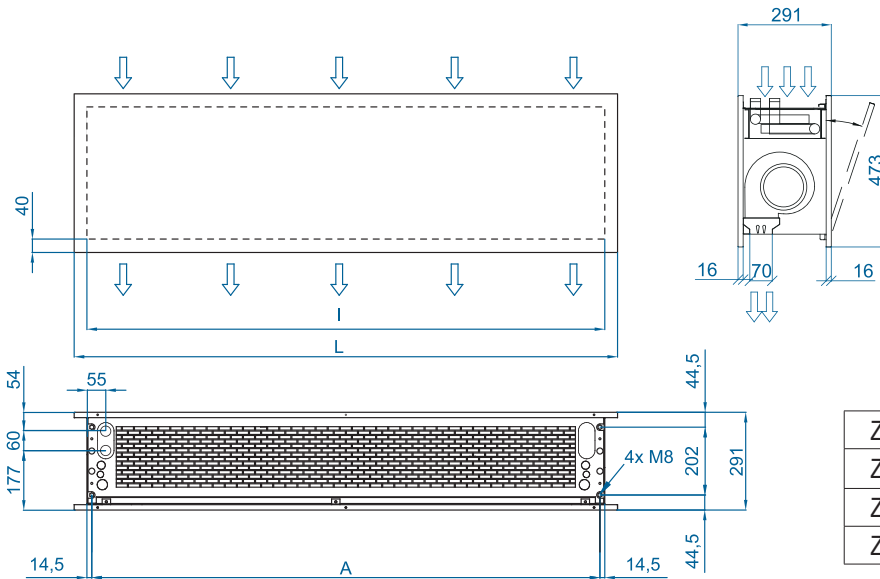
ELECTRICAL HEATED 240 V									
Model	Airflow m ³ /h	Electrical Heating Capacity 208Vx3-60Hz (*)	Electrical Heating Capacity 460Vx3-60Hz	Electrical Heating Capacity 480Vx3-60Hz	Electrical Heating Capacity 575Vx3-60Hz (*)	Power Fans 240V-60Hz kW	Current Fans 240V-60Hz A	Noise Level (5 m) dB(A)	Weight kg
		kW	kW	kW	kW				
ZEN G 1000 E 60Hz (**)	2400	4/8/12	4/8/12	4,3/8,7/13	4/8/12	0,395	1,65	57	43
ZEN G 1500 E 60Hz (**)	3200	6/9,5/15,5	5,3/10,7/16	5,8/11,7/17,5	5,5/11/16,5	0,526	2,20	58	62
ZEN G 2000 E 60Hz (**)	4800	5/9/14	8,2/16,3/24,5	8,8/17,7/26,5	8/16/24	0,790	3,30	59	85
ZEN G 2500 E 60Hz (**)	5600	5,5/9/14,5	9,3/18,7/28	10,2/20,3/30,5	9,5/19/28,5	0,921	3,85	60	103
ZEN ECG 1000 E 60Hz	2775	4/8/12	4/8/12	4,3/8,7/13	4/8/12	0,381	2,94	61	43
ZEN ECG 1500 E 60Hz	3700	6/9,5/15,5	5,3/10,7/16	5,8/11,7/17,5	5,5/11/16,5	0,508	3,92	62	62
ZEN ECG 2000 E 60Hz	5550	5/9/14	8,2/16,3/24,5	8,8/17,7/26,5	8/16/24	0,762	5,88	63	85
ZEN ECG 2500 E 60Hz	6475	5,5/9/14,5	9,3/18,7/28	10,2/20,3/30,5	9,5/19/28,5	0,889	6,86	64	103

(*) 208V three-phase and 575V three-phase power supply not certified, only UL components.

(**) Certified with different data.



Dimensions



	L	I	A
ZEN 1000	1220	1140	1115
ZEN 1500	1620	1544	1515
ZEN 2000	2120	2044	2015
ZEN 2500	2620	2544	2515

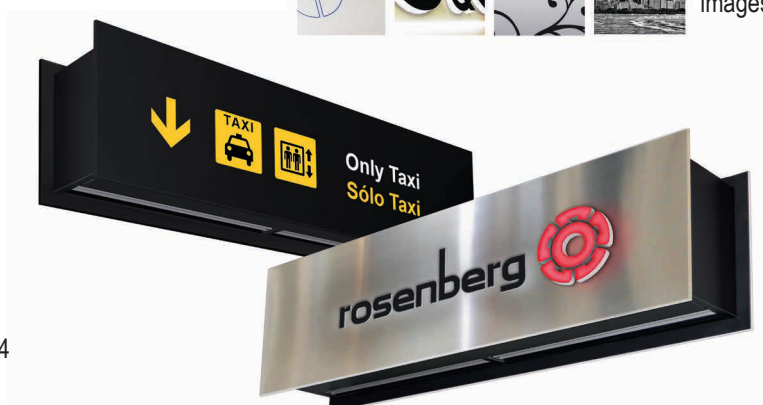
Finishes



Vertical installation



- standard / painted
- decorative metals
- crocco / leather
- screen
- vintage / floral
- wood
- signage
- logos / images



- Painted any RAL colour or metal
- Different materials: aluminium, stainless steel AISI 304 (brushed or polished), wood, glass, PVC/PES, etc.
- Logos, lights, clocks, signs, vinyls, patterns, etc.